

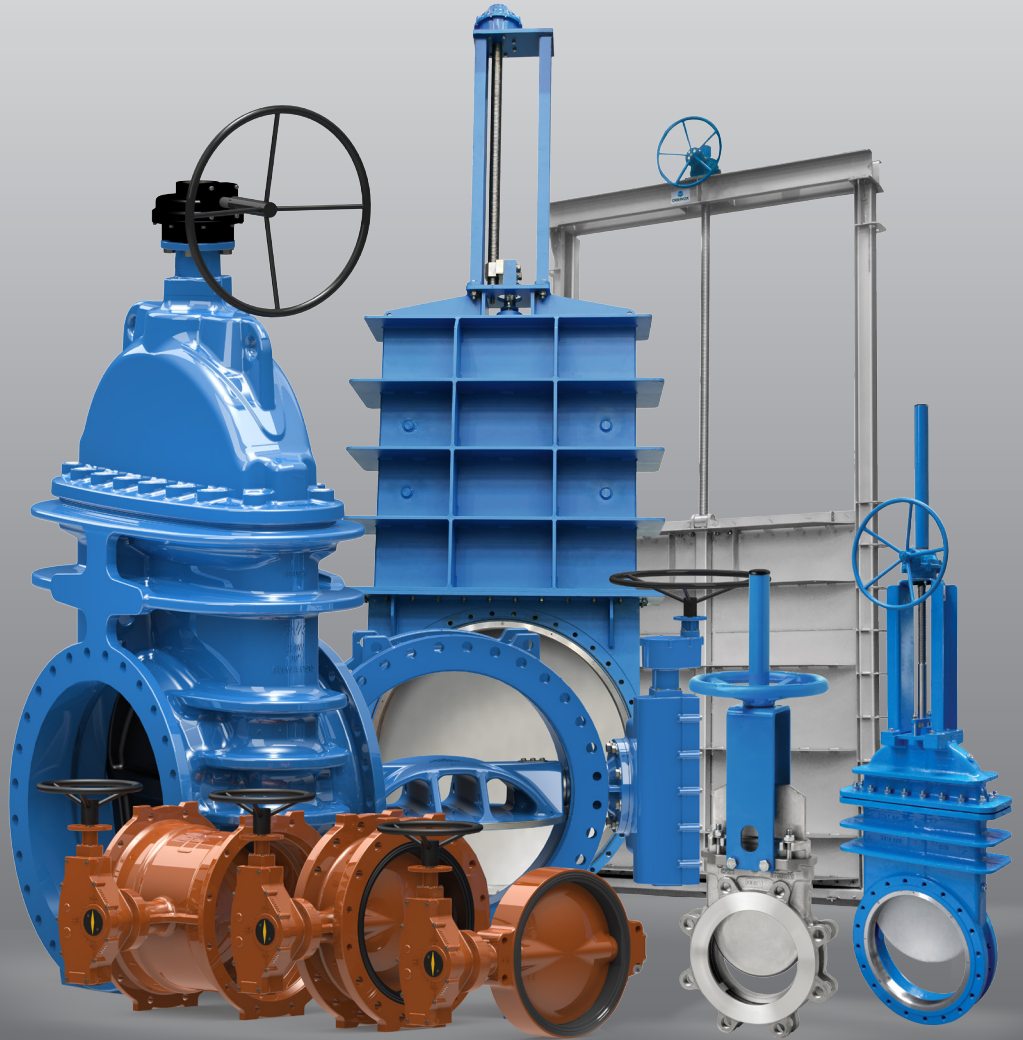
WATER AND WASTEWATER TREATMENT



American AVK



Orbinox



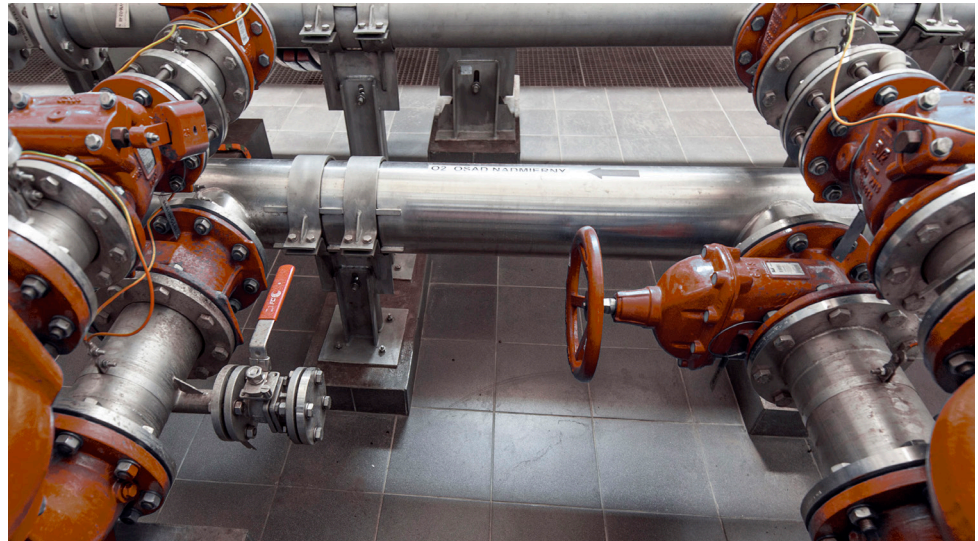
WATER AND WASTE WATER
TREATMENT

Expect... **AVR**

AMERICAN AVK/ORBINOX PARTNERS FOR WATER AND WASTE WATER MARKET

Together, American AVK Company and Orbinox, leading global valve manufacturers and part of the AVK Group, form a combined wealth of experience, expertise, and resources to serve the North American water and waste water treatment market.

The AVK Group is a privately owned industrial corporation, manufacturing products in over 30 countries. Producing valves and hydrants for water and gas distribution, sewage treatment, and fire protection, AVK products are designed to the major international standards and are sold in more than 80 countries worldwide. When dealing with the AVK Group, quality, reliability, superior design, and long lifetime-in-service are expected.



AMERICAN AVK

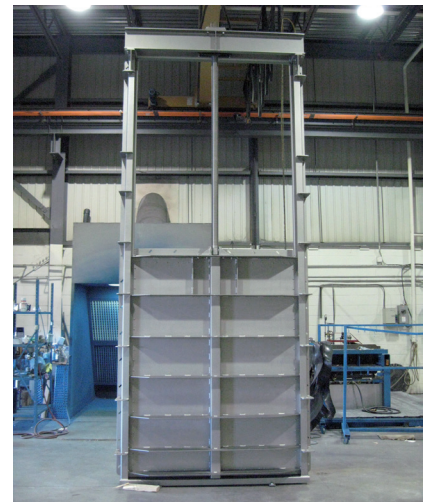
AMERICAN AVK is AVK's manufacturing and sales company for North and South America. Valves and fire hydrants from American AVK lead the industry in quality and service. From the 10-year warranty on valves and hydrants to the next-day parts delivery guarantee, American AVK backs every product with exceptional support. Each product is built with unmatched quality, innovation, and value.

ORBINOX

ORBINOX is the leading manufacturer of knife gate valves in Europe. Present in more than 70 countries across five continents, and with over 50 years of experience, ORBINOX is a leader in the design and manufacturing of knife gate valves, slide gates, dampers, and valves for dams, reservoirs, and hydropower applications. Product quality and customer satisfaction are the company's primary objectives.

TOGETHER

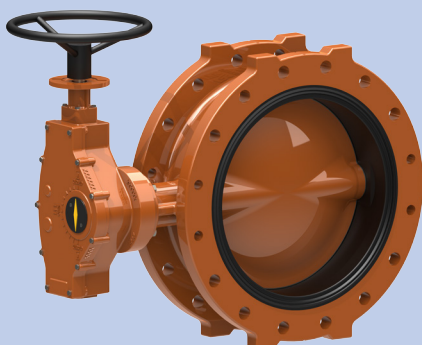
Our combined product portfolio includes a broad range of high quality gate valves, knife gate valves, slide gates, and check valves, as well as concentric and double-eccentric butterfly valves for the Water and Waste Water Treatment segments. AVK and Orbinox focus on quality in design and manufacturing. We strive to provide long-lasting solutions and develop long-term partnerships with our customers.



EXPECT INNOVATION BUTTERFLY VALVES

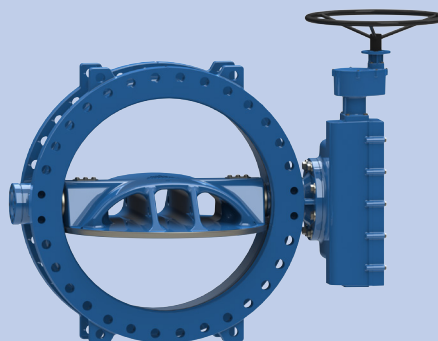
BUTTERFLY VALVE DESIGNS meet or exceed AWWA C504, Standard for Butterfly Valves. Valves are certified to NSF61 and NSF372. AWWA Class 150B and 250B are available. Ductile iron construction. EPDM seats for long life in Chloramines and other disinfectants. PTFE bearings for low friction, long life, no lubrication. Valve coating complies with AWWA C550

SERIES 816 CONCENTRIC DESIGN BUTTERFLY VALVE WITH FULLY VULCANIZED LINER



- Available in Flanged, Wafer, Mechanical Joint, and Mechanical Joint by Flanged end configuration
- Fully vulcanized rubber lined valve body: 3" - 24"
- Low head loss concentric design
- MJMJ and MJFL will accept HDPE DR9 pipe with no need to bevel the pipe
- No seat adjustment necessary
- Ni-Cu welded seat tested to 100,000 cycles
- Hex stem to disc driving system
- Lever actuators available on smaller sizes

SERIES 766 DOUBLE ECCENTRIC DESIGN BUTTERFLY VALVE WITH RUBBER SEAT IN BODY



- Available in Flanged, and Mechanical Joint end configurations
- Epoxy seat in the body design; 24" – 48"
- Low head loss flow through disc
- MJMJ design will accept most pressure classes of PVC pipe with no need to bevel
- 316 stainless steel seat
- Butterfly Valve travelling nut and worm gear manual actuators available
- Manual actuators rated to a 450 ft-lb input torque

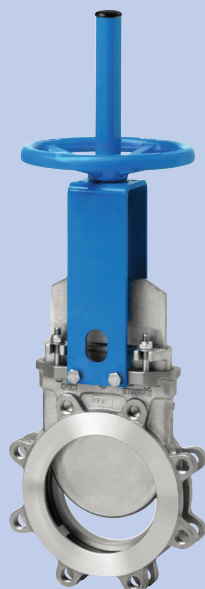
KNIFE GATE VALVES & SLIDE GATES

SERIES 20 KNIFE GATE VALVE

- Meets or exceeds MSS SP-81 and TAPPI TIS 405-8
- Uni-directional lug type
- Size range of 2" to 36"
- Rising stem as standard. Non-rising stem available
- Stainless steel body and gate. Other materials available

Common Features

- EPDM seat, metal-to-metal available
- Epoxy-coating on all cast iron/carbon steel components
- Manual, pneumatic, electric and hydraulic actuators
- Bonnets, fabricated valves, flush ports, special materials and V-ports available



WALL-MOUNTED MU SLIDE GATE

- Meets or exceeds AWWA C561
- Four-side sealing
- Bidirectional up to 48"x48", uni-/bi-directional up to 160"x160"
- Wall-mounted, allows also for elevated or flush bottom installation. Thimble-mount and curved-wall mount available

Common Features

- Fabricated stainless steel construction. Wide range of materials available
- Self-adjusting sealing and self-cleaning UHMWPE guides
- Rising stem and non-rising stem
- Manual, pneumatic, electric or hydraulic actuators



EXPECT RELIABILITY



SERIES 10

- Uni-directional wafer type
- Size range of 2" to 48". Larger sizes available
- Cast iron body and stainless steel gate. Other materials available



SERIES 22

- Meets or exceeds MSS SP-81 and TAPPI TIS 405-8
- Bi-directional lug type
- Size range of 2" to 36"
- Stainless steel body and gate. Other materials available



SERIES 50

- Bonneted uni-directional high pressure
- Size range of 2" to 36"
- Cast iron body and bonnet and stainless steel gate. Other materials available



CHANNEL GATE CC

- Meets or exceeds AWWA C561
- Three-side sealing
- Uni-/bi-directional
- Wall-mounted, embedded in concrete or face-mounted in existing channel



WEIR GATE RB

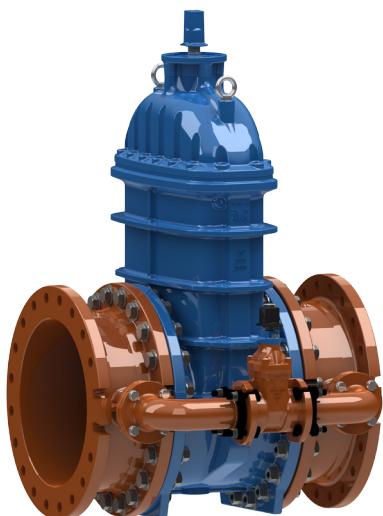
- Meets or exceeds AWWA C561, three or four-side sealing
- Bi-directional up to 80"x80"
- Wall-mounted, thimble-mounted also available



STOP LOG SL/SA

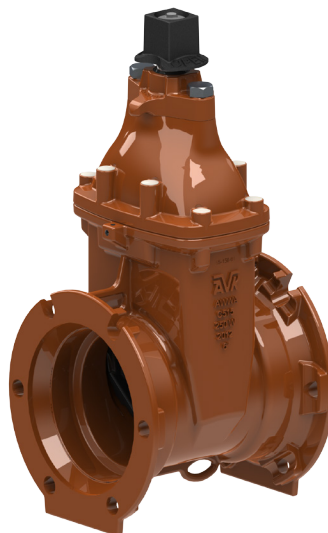
- Three-side sealing
- Uni-/bi-directional up to 80"x80"
- Fabricated stainless steel (SL) and aluminum construction (SA)
- Wall-mounted, embedded in concrete or face-mounted in existing channel
- Manual, lifting pole, lifting beam or auxiliary lifting device

EXPECT SUPERIOR DESIGN



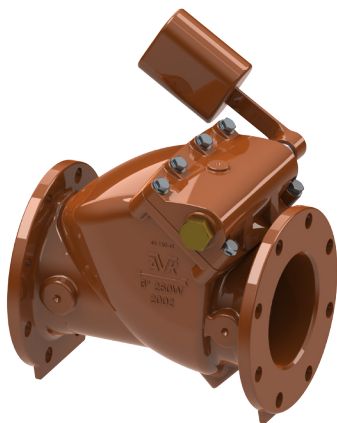
SERIES 55 LARGE DIAMETER GATE VALVES

- Series 55 large diameter gate valves available in sizes 18"-30"
- OS&Y available to 24"
- All valves come pre-fitted with a mounting plate to mount gearing or motorized actuators; Bevel or spur gearing is available
- Bypass assemblies are available



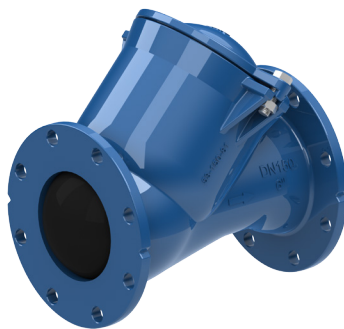
SERIES 65 REDUCED WALL DUCTILE IRON GATE VALVES

- Meets or exceeds AWWA C515 ductile iron, available in sizes 2.5"-12"
- VeloCorr™ Holiday-Free internal coating
- Rated working pressure 250 PSI



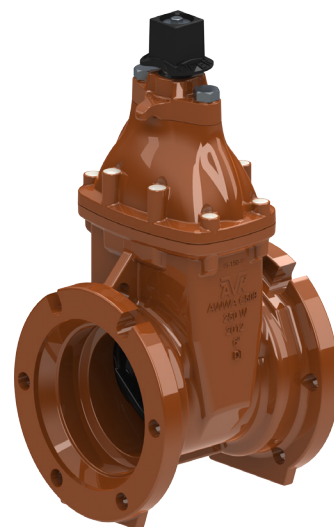
SERIES 41 DUCTILE IRON SWING CHECK VALVES

- Meets or exceeds AWWA C508
- 250 PSI working pressure, available in sizes 3"-12"
- Available in bare stem, lever & weight, and lever & spring configurations



SERIES 53 DUCTILE IRON BALL CHECK VALVES

- Ductile iron – 150 PSI working pressure
- Flange x Flange ends drilled to ANSI B16.1 class 125, available in sizes 1½"-16", 20" & 24"
- NPT x NPT ends available in sizes 1½"-2"



SERIES 45 FULL WALL DUCTILE IRON GATE VALVES

- Full wall, ductile iron – meets or exceeds AWWA C509, available in sizes 2.5"-16"
- Available in all end configurations, including grooved ends, and tapping valves
- Available in NRS and OS&Y

American AVK Company

2155 Meridian Blvd.
Minden, NV
89423
USA

Tel.: 775-552-1400
Fax.: 775-552-1031
sales@avkus.com
www.americanavk.com

ORBINOX CANADA

2050 Dagenais Blvd., West
Laval, Quebec
H7L 5W2
CANADA

Tel.: 450-622-8775
Fax.: 450-622-6831
canada@orbinox.com
www.orbinox.com

MTPTFB/09-01-2016
Copyright©AVK Group A/S 2016

Expect... **AVR**