

AMERICAN AVK BRONZE SWING CHECK VALVE
For Fire Protection Only
NPT Threaded Ends - Valve Sizes 1/2" - 2"

970/SCV
NPTxNPT

Use:

Non-shock cold water.

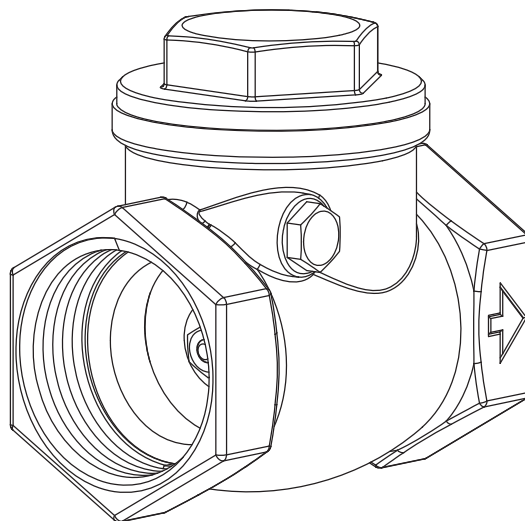
Tests:

200 WOG

Standard Materials:

Body, Bonnet, Hinge Pin, Brass
Seat, Seat Washer,
Seat Nut

Seat Disc NBR

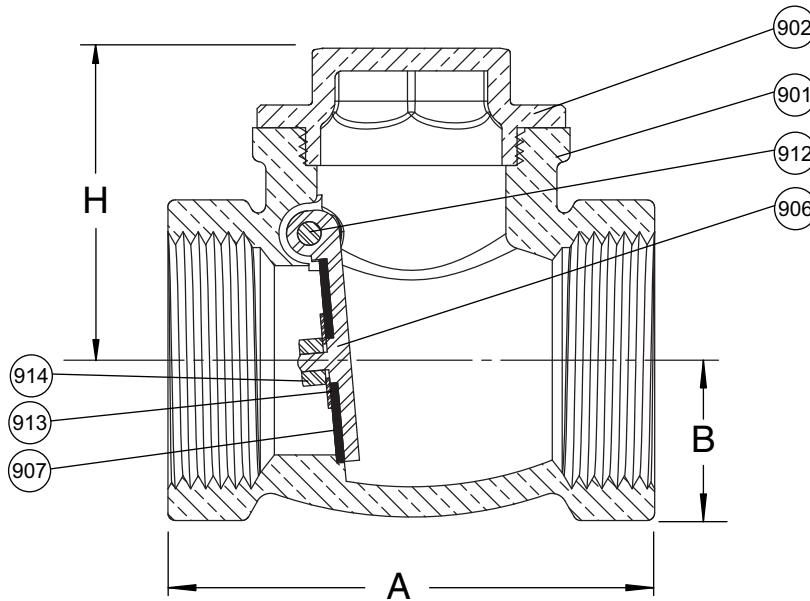


AMERICAN AVK BRONZE SWING CHECK VALVE
For Fire Protection Only
NPT Threaded Ends - Valve Sizes ½" - 2"

970/SCV
NPTxNPT

Component List:

901. Body	907. Seat Disc	914. Disc Nut
902. Bonnet	912. Hinge Pin	
906. Seat	913. Disc Washer	



Ref No.	Size	A	B	H	Weight Lbs.
970-015-SCV	½"	2.09"	0.59"	1.26"	0.39
970-020-SCV	¾"	2.24"	0.73"	1.54"	0.59
970-025-SCV	1"	2.69"	0.87"	1.70"	0.93
970-032-SCV	1¼"	3.04"	1.04"	2.01"	1.26
970-040-SCV	1½"	3.19"	1.22"	2.28"	1.74
970-050-SCV	2"	3.83"	1.50"	2.51"	3.00

