

AMERICAN AVK BRONZE BALL VALVE
For Fire Protection Only
NPT Threaded Ends - Valve Sizes 1/2" - 2"

970/BLV
NPTxNPT

Use:

Non-shock cold water.

Tests:

200 WOG

Standard Materials:

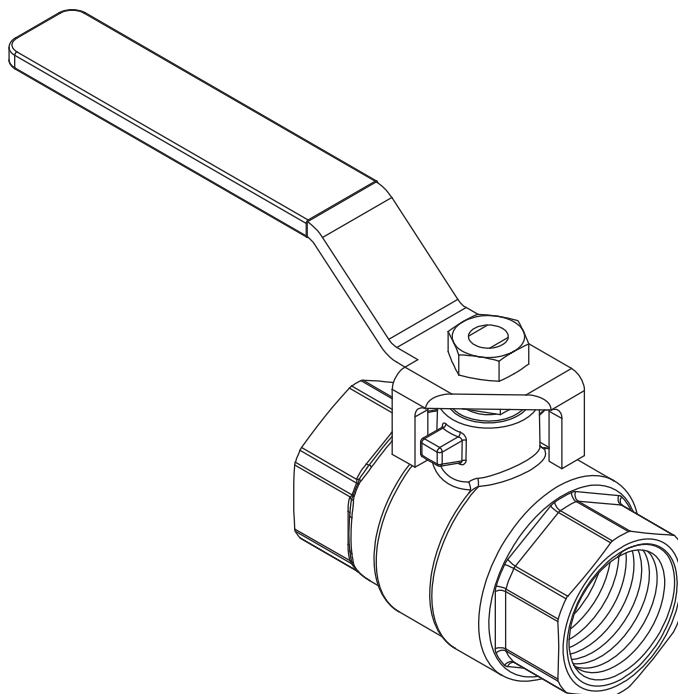
Body, Bonnet, Stem, Packing Nut, Seat Disc, Handwheel Nut	Brass
Hand wheel	Cast iron ASTM A126 class B
Operating Plate	Aluminum
Packing	PTFE
Seat Disc	NBR

Approvals:

UL/ULC Listed
FM Approved



Approved at 250 PSI working pressure

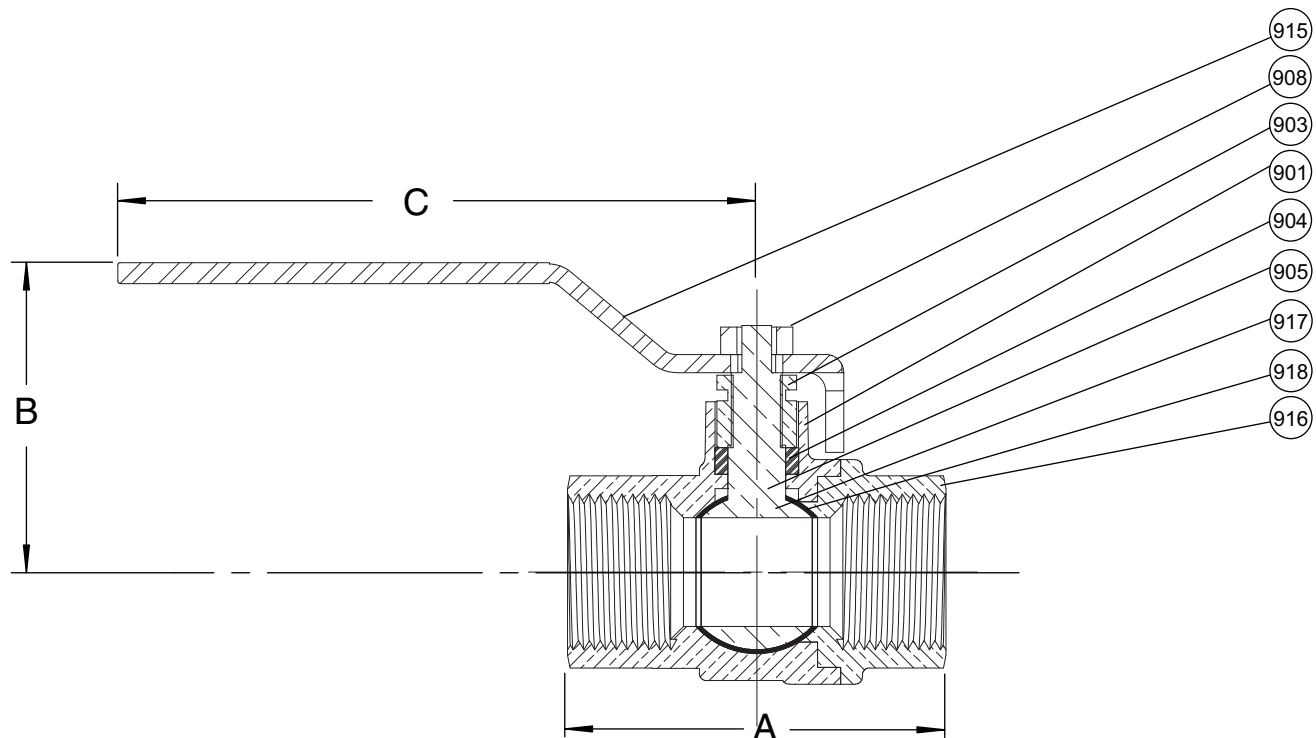


AMERICAN AVK BRONZE BALL VALVE
For Fire Protection Only
NPT Threaded Ends - Valve Sizes ½" - 2"

970/BLV
NPTxNPT

Component List:

901. Body	903. Packing Nut	905. Stem	915. Lever	917. Ball
902. Bonnet	904. Packing	908. Stem Nut	916. End Cap	918. Ball Seat



Ref No.	Size	A	B	C	Weight Lbs.
970-015-BLV	½"	2.05"	2.14"	3.57"	0.44
970-020-BLV	¾"	2.37"	2.14"	3.63"	0.65
970-025-BLV	1"	2.75"	2.61"	4.59"	1.06
970-032-BLV	1¼"	3.39"	1.65"	2.67"	1.67
970-040-BLV	1½"	3.67"	3.36"	5.33"	2.41
970-050-BLV	2"	4.19"	3.77"	5.33"	3.54

