

AMERICAN AVK RESILIENT SEATED DUCTILE IRON GATE VALVE
250 PSI, Tested to AWWA C515 (NRS)
HYMAX GRIP® - Valve sizes 1½" - 12"

65/HHN-WD
HYxHY

Use:
 For water and neutral liquids to maximum 160°F.

Tests:
 Hydraulic test to AWWA C509:
 Shell Test: 500 PSI 3"-16"
 Seat Test: 250 PSI 3"-16"
 Operating Torque Test

Optional Materials:

Wedge Ductile iron ASTM A536
 encapsulated with NBR-rubber
 compound

Standard Materials:

Body, Bonnet, Ductile iron ASTM A536
 Gland Flange, (Wrench Nut-painted black for
 Wrench Nut open left, red for open right)

Coating Electrostatically applied fusion-
 bonded epoxy-resin
 Meets or exceeds AWWA C550

Stem Standard: Stainless steel 430F

Wedge Ductile iron ASTM A536
 encapsulated with EPDM-rubber
 compound

Wedge Nut, Thrust Collar Bronze



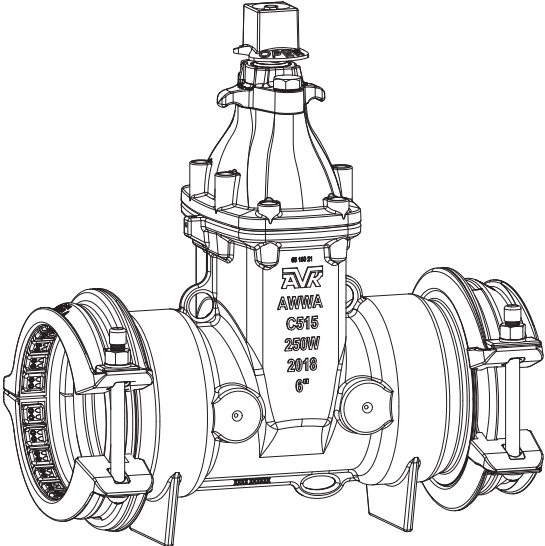
Bonnet Bolts Stainless Steel - 316 sealed with
 hot melt

Gland Bolts Stainless Steel - 316
 Hexagon bolt

Bonnet Gasket,
 Wiper Ring,
 O-Ring Stem Seals,
 O-Ring Gland Seal ASTM D2000 Buna "N" nitrile
 rubber

Approvals:

Certified to: ANSI/NSF 61, ANSI/NSF 372

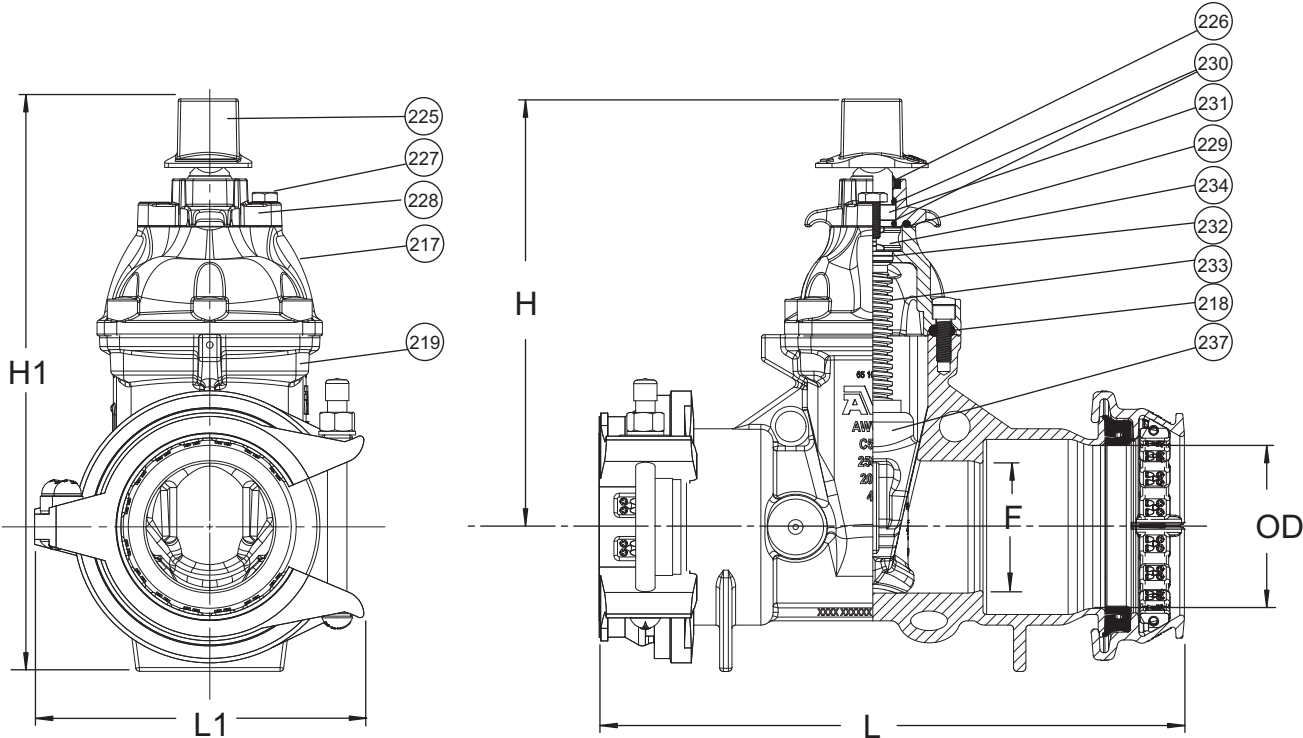




AMERICAN AVK RESILIENT SEATED DUCTILE IRON GATE VALVE
250 PSI, Tested to AWWA C515 (NRS)
HYMAX GRIP® - Valve sizes 1½" - 12"

65/HHN-WD
HYxHY

Component List:

- | | | |
|--------------------|------------------------------|-----------------------------|
| 217. Bonnet | 227. Gland Flange Bolt | 232. Lower Stem Seal O-Ring |
| 218. Bonnet Gasket | 228. Gland Flange | 233. NRS Stem |
| 219. Body | 229. Gland O-Ring | 234. Thrust Collar |
| 225. Wrench Nut | 230. Upper Stem Seal O-Rings | 237. Wedge |
| 226. Wiper Ring | 231. Stem Seal Bushing | |



Ref No.	Size	Pipe OD Min/Max	F	H	H1	L	L1	Turns to Open	Weight (lbs.)
65-050-HHN	1.5"-2"***	1.54"/2.64"	1.97"	12.30"	15.65"	15.20"	7.48"	9.5	44
65-065-HHN	2.5"	2.32"/3.43"	2.63"	12.65"	16.00"	15.20"	8.07"	11	47
65-080-HHN	3"	3.15"/4.17"	3.13"	13.25"	17.50"	18.50"	9.06"	15	59
65-100-HHN	4"	4.40"/5.10"	4.10"	13.82"	18.47"	20.46"	10.60"	17	83
65-150-HHN	6"	6.50"/7.20"	6.18"	17.81"	23.91"	21.80"	12.90"	21	131
65-200-HHN	8"	8.50"/9.40"	8.19"	21.83"	29.31"	23.75"	15.70"	27	193
65-250-HHN	10"	10.65"/11.55"	10.25"	25.06"	33.72"	24.83"	18.20"	34	279
65-300-HHN	12"	12.68"/13.39"	12.25"	27.96"	37.41"	24.50"	19.80"	41	349

** Note: The 2" valve has a 1.5" adaptor gasket installed that must be removed for 2" use.

The 2.5" and 3" valves also have adaptor gasket

Min. Coupling Torque - Ft. Lbs.

- 2"-3" - 70
- 4" - 90
- 6" - 110
- 8"-12" - 200

