

AMERICAN AVK RESILIENT SEATED GATE VALVE
250 PSI, Tested to AWWA C515 (NRS), Bypass Assembly
Flanged & Mechanical Joint Ends - Valve Sizes 18" - 24"

55/7X
BYPASS

Use:

For water and neutral liquids to maximum 160°F.

Tests:

Hydraulic test to AWWA C515:

Shell Test: 500 PSI

Seat Test: 250 PSI

Options:

Horizontal & Vertical Mounting

Handwheel

Electric Actuator

Bevel Gear

Spur Gear

Series 45 Bypass valve

OS&Y Bypass valve

Standard Materials:

Spool Pieces,
Elbows

Ductile iron ASTM A536

Coating

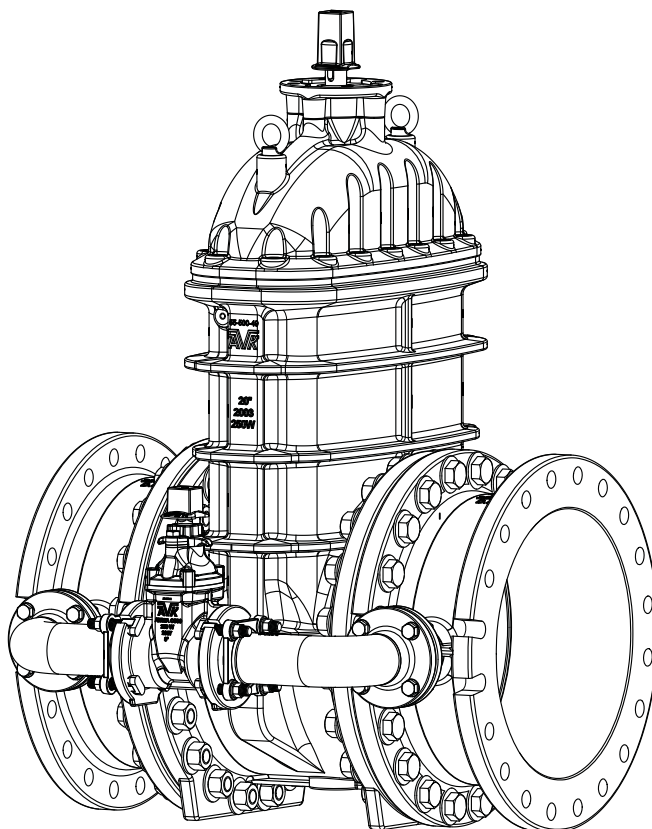
Electrostatically applied fusion-
bonded epoxy-resin
Meets or exceeds AWWA C550

Bolts

Stainless Steel -304

Bypass Valve

Series 65



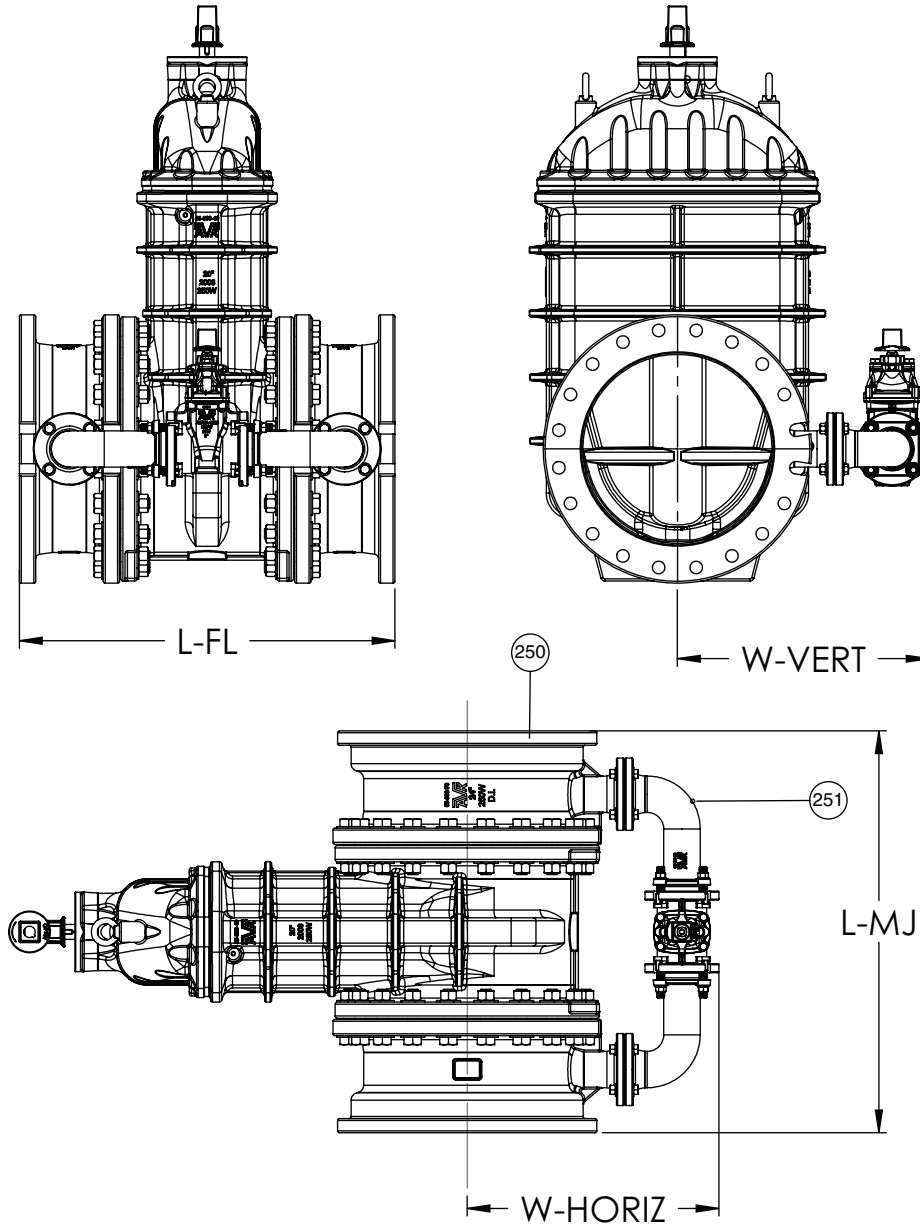
AMERICAN AVK RESILIENT SEATED GATE VALVE
250 PSI, Tested to AWWA C515 (NRS), Bypass Assembly
Flanged & Mechanical Joint Ends - Valve Sizes 18" - 24"

55/7X
BYPASS

Component List:

250. Spool Piece

251. Elbow



| Ref. nos | Size | L-FL | L-MJ | W-(VERT) W-(HORIZ) | Bypass Valve Size |
|-----------|------|--------|---------|-----------------------|----------------------|
| 55-450-7X | 18" | 35.75" | 39..30" | 25.00" | 3" |
| 55-500-7X | 20" | 39.12" | 41.87" | 26.20" | 3" |
| 55-600-7X | 24" | 43.87" | 46.25" | 30.25" | 4" |

Note: X = 7 (Flanged x Flanged Spools) X = 8 (Flanged x MJ Spools)
 X = 9 (MJ x MJ Spools)

