

AMERICAN AVK RESILIENT SEATED DUCTILE IRON GATE VALVE 45/GGP-UL
Tested to AWWA C509 (NRS) for Indicator Post
IPS Grooved End according to AWWA C606 - Valve Sizes 2½" - 10"
IPS GRxGR-PIV

Use:

For water and neutral liquids to maximum 160°F.

Tests:

Hydraulic test to AWWA C509:

Shell Test: 500 PSI

Seat Test: 250 PSI

Operating Torque Test

Optional Materials:

Stem For UL, FM, ULC
 Low Zinc Bronze ASTM B763

Anti Friction Washers Polyamide

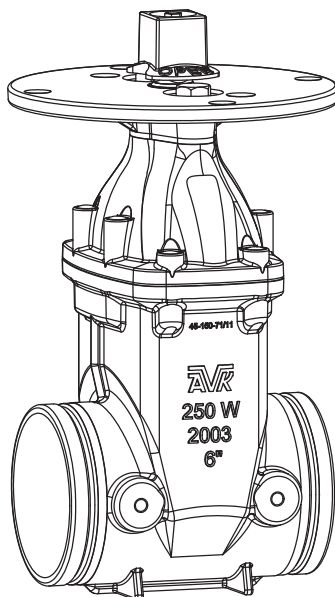
Wedge Ductile iron ASTM A536
 encapsulated with NBR-rubber
 compound

Standard Materials:

Body, Bonnet, Post Indicator Plate, Wrench Nut	Ductile iron ASTM A536 (Wrench Nut-painted black for open left, red for open right)
Coating	Electrostatically applied fusion- bonded epoxy-resin Meets or exceeds AWWA C550
Stem	Stainless steel 304
Wedge	Ductile iron ASTM A536 encapsulated with EPDM-rubber compound
Wedge Nut, Thrust Collar	Bronze
Bonnet Bolts	Stainless Steel - 316 sealed with hot melt
Gland Bolts	Stainless Steel - 316 Hexagon bolt
Bonnet Gasket, Wiper Ring, O-Ring Stem Seals, O-Ring Gland Seal	ASTM D2000 Buna "N" nitrile rubber

Approvals:

UL/ULC Listed
 FM Approved
 Certified to: ANSI/NSF 61, ANSI/NSF 372
 Approved at 250 PSI working pressure

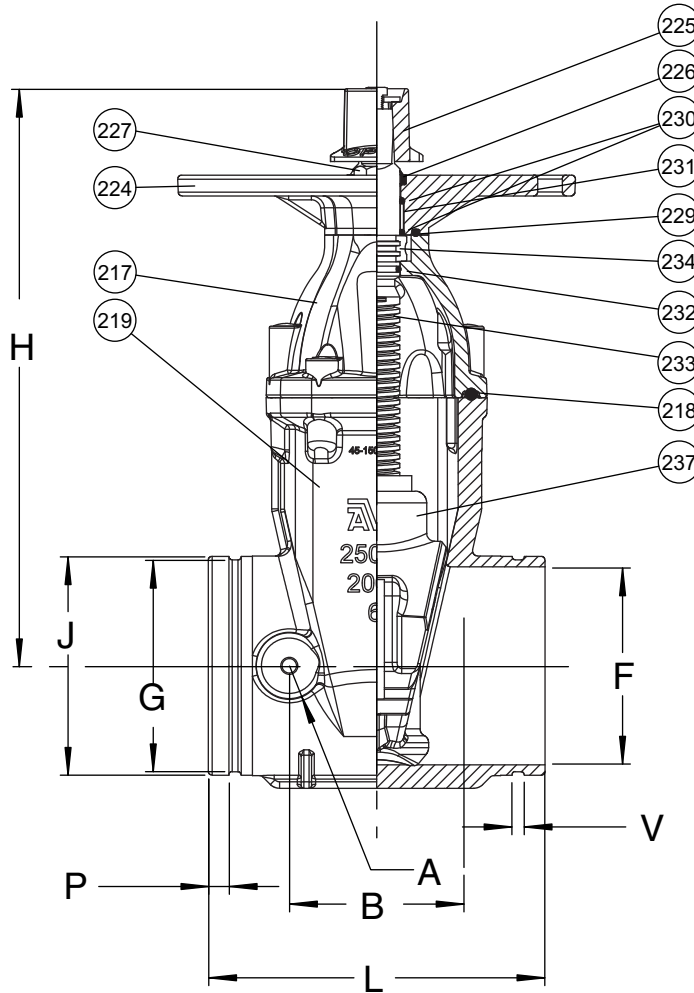


AMERICAN AVK RESILIENT SEATED DUCTILE IRON GATE VALVE
Tested to AWWA C509 (NRS) for Indicator Post
IPS Grooved End according to AWWA C606 - Valve Sizes 2½" - 10"

45/GGP-UL
IPS GRxGR-PIV

Component List:

- | | | |
|---------------------------|------------------------------|-----------------------------|
| 217. Bonnet | 226. Wiper Ring | 232. Lower Stem Seal O-Ring |
| 218. Bonnet Gasket | 227. Gland Flange Bolt | 233. NRS Stem |
| 219. Body | 229. Gland O-Ring | 234. Thrust Collar |
| 224. Post Indicator Plate | 230. Upper Stem Seal O-Rings | 237. Wedge |
| 225. Wrench Nut | 231. Stem Seal Bushing | |



Ref No.	Size	A	B	F	G	H	J	L	P	V	Turns to Open	Weight Lbs.
45-065-GGP-UL	2.5"	1.57"	3.74"	2.50"	2.72"	12.50"	2.88"	8.00"	0.63"	0.31"	12	30
45-080-GGP-UL	3"	1.57"	3.74"	3.00"	3.34"	12.50"	3.50"	8.00"	0.63"	0.31"	13	35
45-100-GGP-UL	4"	1.65"	4.12"	4.00"	4.33"	13.50"	4.50"	9.00"	0.63"	0.38"	14	46
45-150-GGP-UL	6"	1.97"	5.29"	6.00"	6.45"	17.50"	6.62"	10.50"	0.63"	0.38"	21	87
45-200-GGP-UL	8"	1.97"	8.00"	8.00"	8.44"	21.50"	8.62"	11.50"	0.75"	0.44"	26	133
45-250-GGP-UL	10"	1.97"	8.00"	10.00"	10.53"	24.75"	10.75"	13.00"	0.75"	0.50"	32	185

