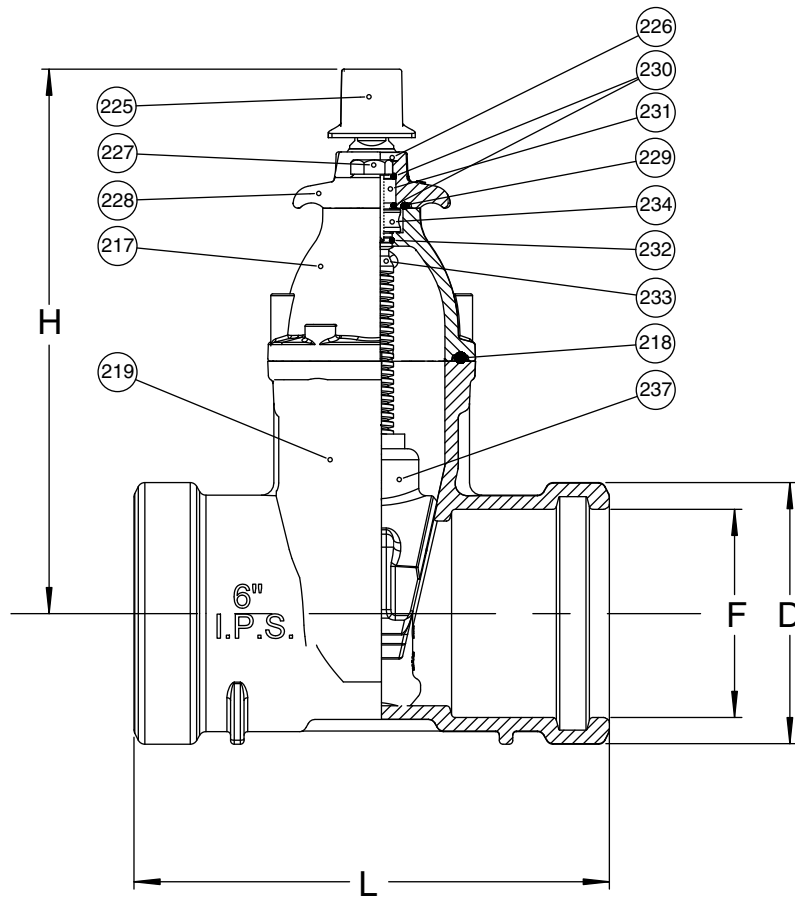


AMERICAN AVK RESILIENT SEATED GATE VALVE
250 PSI, Tested to AWWA C509 (NRS)
Iron Pipe Size - Valve Sizes 2 ½" - 8"

25/1X
IPSxIPS

Component List:

- | | | |
|--------------------|------------------------------|-----------------------------|
| 217. Bonnet | 227. Gland Flange Bolt | 232. Lower Stem Seal O-Ring |
| 218. Bonnet Gasket | 228. Gland Flange | 233. NRS Stem |
| 219. Body | 229. Gland O-Ring | 234. Thrust Collar |
| 225. Wrench Nut | 230. Upper Stem Seal O-Rings | 237. Wedge |
| 226. Wiper Ring | 231. Stem Seal Bushing | |



Ref No.	Size	D	F	H	L	Turns to Open	Weight (lbs.)
25-065-1X	2.5"	4.20"	2.98"	11.25"	11.38"	11	32
25-080-1X	3"	5.06"	3.61"	12.50"	11.10"	13	36
25-100-1X	4"	6.05"	4.61"	13.50"	11.73"	14	46
26-150-1X	6"	8.41"	6.75"	17.50"	15.30"	20	87
26-200-1X	8"	10.74"	8.75"	21.50"	16.46"	26	133

