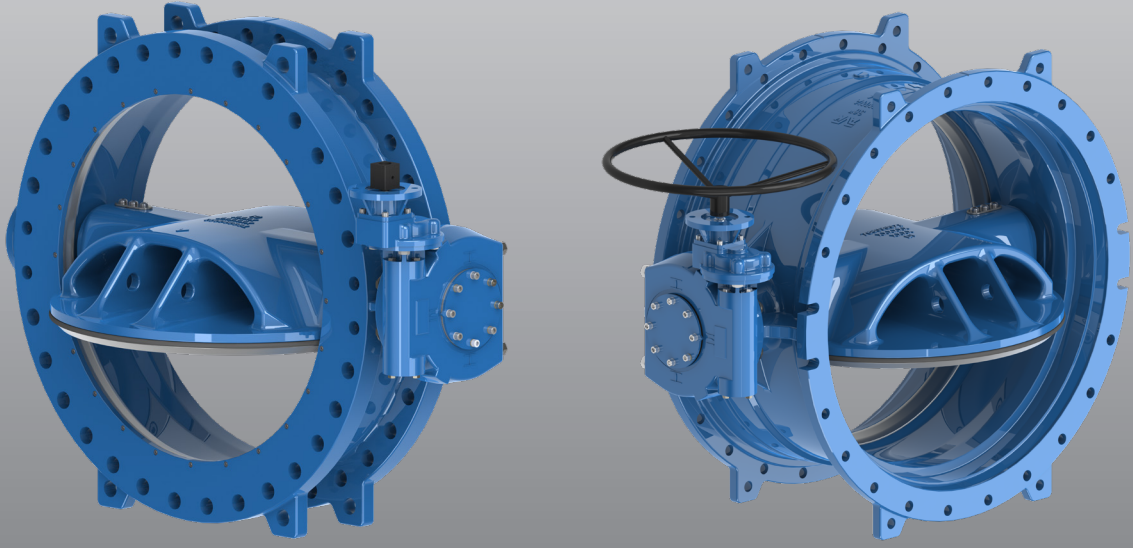


AVK SERIES 766 DOUBLE ECCENTRIC BUTTERFLY VALVES



EXPECT SOLUTIONS, NOT JUST
PRODUCTS

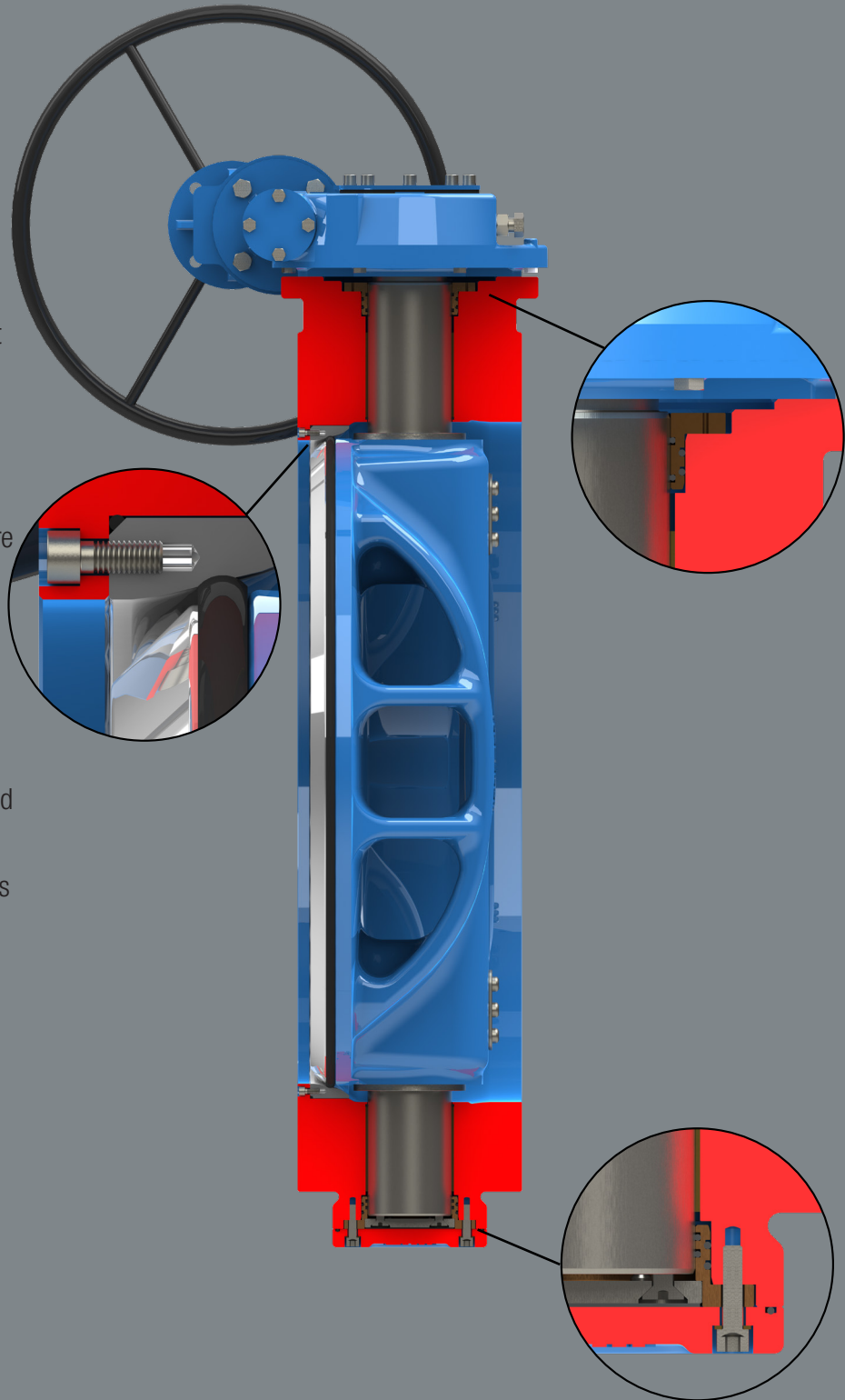


AVK SERIES 766

DOUBLE ECCENTRIC BUTTERFLY VALVES

FEATURES

- Size range – 24” – 48”
- Available in Flanged and Mechanical Joint end configurations
- FLxFL is the AWWA short body design
- MJxMJ design will accept PVC pipe with no need to bevel the edges of the PVC
- The 30”-48” MJxMJ can accept DR11 HDPE without beveling
- Fully AWWA C504 Compliant
- NSF61 and NSF372 certified
- Rubber seal is easily replaceable. No special tools are required
- Coatings comply with AWWA C550
- AWWA Class 150B & 250B
- Ductile Iron Valve Body & Disc
- Stem to disc retention system, stainless steel pins and keys, protected with o-ring cover
- Stem to Disc connection is backed up with a stainless steel safety key for additional security
- PTFE Bearings; Low friction, long life, no lubrication
- AVK's EPDM seats for long life in Chloramines and other disinfectants
- Worm gear actuator
- O-ring backed 316 stainless steel seat
- 431 stainless steel stems for class 150B, 17-4PH/ 630 SS ASTM 564 for class 250B
- Actuator stops rated to 450 ft-lbs of input torque, exceeds AWWA standards
- 1 year warranty



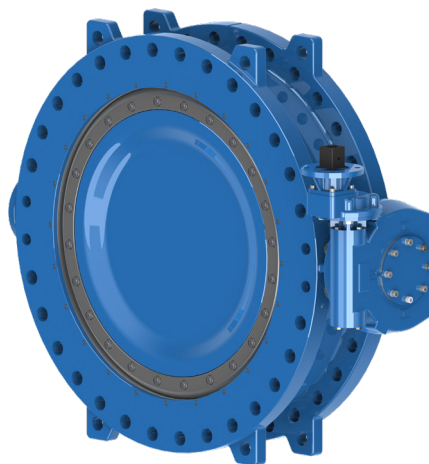
EXPECT NO LEAKS

BUTTERFLY VALVES

ABOVE GROUND



BELOW GROUND



SERIES 766 ECCENTRIC BUTTERFLY VALVE

- **Double Eccentric Design**

The center line of the valve disc is offset horizontally and vertically from the center line of the valve. This design ensures that the seat is not compressed when the valve is open, ensuring long seat life. Seat compression is relaxed after a few degrees of disc travel when opening which reduces seat friction and wear.

- **Dry Disc Hub Design**

The hub of the disc is O-ring sealed, preventing water from entering the disc hub, which reduces corrosion in this critical area.

- **Flow Through Disc**

Minimizes head loss across the valve while maintaining strength and rigidity.

- **Actuation**

AVK provides worm gear actuators. Electric actuators can easily be mounted on the F10 mounting flanges. Traveling nut actuators are in development.

- **Shaft Seals**

Multiple O-ring seals on the upper and lower shafts provide long trouble-free life and minimal torque requirements. The O-rings can be easily replaced in the unlikely event that is necessary.

- **Testing**

Tested according to the requirements of AWWA C504.

American AVK Company Locations

American AVK Company

2155 Meridian Blvd.
Minden, NV
89423
USA

Tel.: 775-552-1400
Fax.: 775-783-1031
sales@avkus.com
www.americanavk.com

F99012/02-13-2020
Copyright©AVK Group A/S 2020

