

**AMERICAN AVK SWING CHECK VALVE, 250 PSI**  
**Tested to AWWA C508 - Resilient Seated Swing**  
**Flanged Ends Drilled to ANSI B16.42 Class 150 - Valve Sizes 3" - 12"**

**41/RP**  
**RSLT/SWNG**

**Use:**

For potable water and sewage to maximum 160°F.

**Tests:**

Hydraulic test to AWWA C508:

Shell Test: 500 PSI

Seat Test: 250 PSI

**Optional Extras:**

Resilient seated disc assembly.

Tapping boss, tapped and plugged.

Priming Device

**Approvals:**

Certified to: ANSI/NSF 61, ANSI/NSF 372



**Standard Materials:**

Body, Bonnet, (Hinge, 10" & 12") Ductile iron, ASTM A536

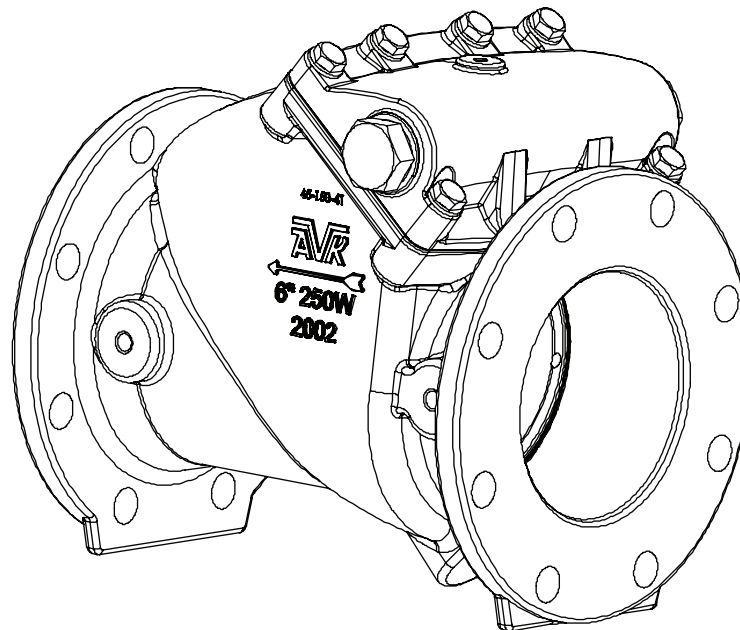
Coating Electrostatically applied fusion-bonded epoxy.  
Meets or exceeds AWWA C550

O-Rings, NBR  
Bonnet Gasket

Shaft, (Hinge, 3"-8") Stainless steel  
Bonnet Bolts, Washers, Keys

Bushings Bronze

Disc EPDM rubber with a carbon steel core



C508 clear waterway design. Laylength to ANSI B16.10



**AMERICAN AVK SWING CHECK VALVE, 250 PSI**  
**Tested to AWWA C508 - Resilient Seated Swing**  
**Flanged Ends Drilled to ANSI B16.42 Class 150 - Valve Sizes 3" - 12"**

**41/RP**  
**RSLT/SWNG**

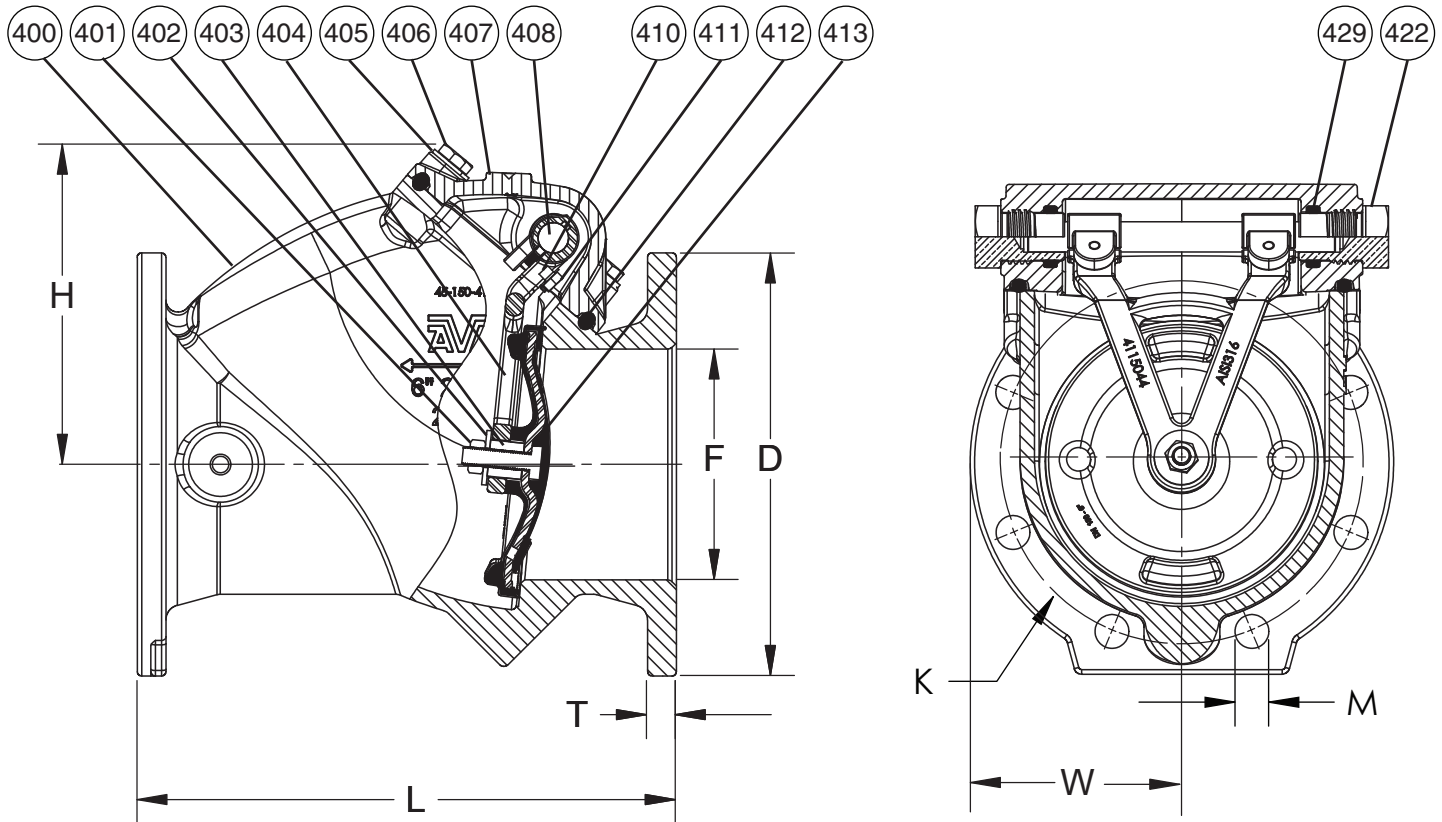
**Components**

400. Body	406. Bonnet Bolt	413. Disc	432. Shaft Spacers*
401. Disc Nut**	407. Bonnet	418. Inner Bushing O-ring***	
402. Disc Washer	408. Shaft	422. Closed Bushing	
403. Disc Bushing	410. Lock Washer	429. Bonnet O-ring***	
404. Hinge	411. Hinge Bolt	430. Hinge Connector*	
405. Bonnet Washer	412. Bonnet Gasket	431. Retaining Washers*	

\* 10" and 12" Valves ( not shown )

\*\* As of March 1st, 2008 on 3" through 8" valves, the Disc Lock Washer (423, not shown), and Disc Nut (401), are replaced by a new self locking Disc Nut (401).

\*\*\* As of June 1st, 2014, new style bonnets that eliminate the Outer Bushing O-rings (421), and utilize new Inner Bushing O-rings (429) for all size check valves.



Ref No.	Size	D	F	H	K	L	M	T	W	Flange Holes	Weight (lbs.)
41-080-RP	3"	7.50"	3.00"	5.50"	6.00"	9.50"	0.75"	0.75"	3.76"	4	35
41-100-RP	4"	9.00"	4.00"	6.00"	7.50"	11.50"	0.75"	0.75"	4.50"	8	51
41-150-RP	6"	11.00"	6.00"	7.75"	9.50"	14.00"	0.88"	0.75"	5.50"	8	86
41-200-RP	8"	13.50"	8.00"	9.00"	11.75"	19.50"	0.88"	0.80"	6.75"	8	165
41-250-RP	10"	16.00"	10.00"	13.50"	14.25"	24.50"	1.00"	1.20"	8.01"	12	450
41-300-RP	12"	19.00"	12.00"	15.37"	17.00"	27.50"	1.00"	1.26"	9.50"	12	590

